

FOOT STAMPING SEALING MACHINE

OPERATION MANUAL

1.USAGE:

This impulse sealer adopt electric impulse technology.The sealing time can vary from 2-4 sec to 0.2-2 sec. It's a kind of sealing equipment of little investment.Long sealing length.Simple operation,and beneficial. It can be used in the area of food stuff,medicine.local specialty,electric spare parts,factory,store and so on.

2.DIRECTION:

Please assemble the machine according to the assembly diagram,tighten the screws of the pedal pulling rod,plug into 220V-240V. Power,turn on the power switch,then start to seal, adjust the timer. According to the thickness of the film Press down the pedal.when the green indicator light is on, the machine is heating,when the green indicator is out,the sealing procedure is finished.

3.ATTENTION:

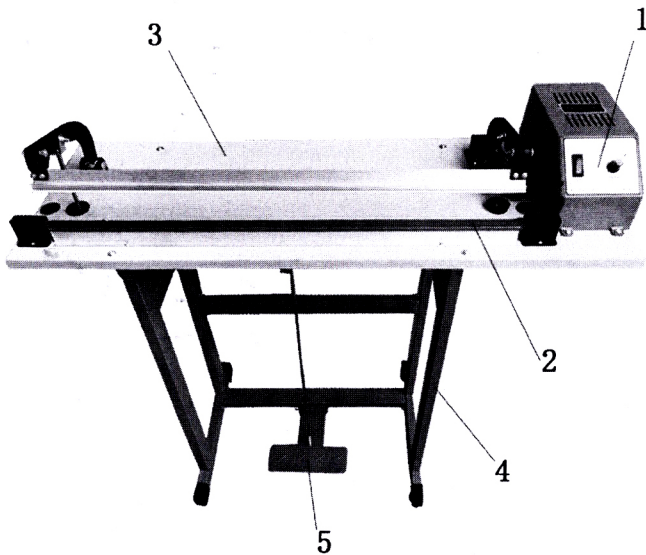
The machine belongs to the electronic machinery, pay attention to damp and power source(220V-240V),connect the ground wire,don't put inflammable cargo for packaging in the machines.

4. SPDCFICATION:

Model	Power(W)	Sealing Length(mm)	Sealing width(mm)	Heating time(Sec)	Weight(Kg)
KF-300	350	300	3	0.2-2	7.5
KF-400	450	400	3	0.2-2	8
KF-500	600	500	3	0.2-2	9
KF-600	700	600	3	0.2-2	9.5
KF-700	800	700	3	0.2-2	10
KF-800	850	800	3	0.2-2	15
KF-1000	1000	1000	3	0.2-2	18

5.FRAME

- 1.Control board
- 2.Heating wire, silicon piece
3. Working plate
- 4.Pedal frame
- 5.Pedal board



5. PACKING LIST

NO	Name	Quantity	Remarks
1	Main engine	1set	Main Component
2	Standing frame	2pcs	Right and left
3	Middle cross frame	1pcs	Neutral fixation
4	Pedal cross board	1pcs	Install the foot pedal
5	Pedal connecting rod	1pcs	One Tie Rod, one m6 nut
6	Pedal board	1pcs	
7	Screws	1 bag	The right number of parts for this machine
8	Operation manua	1pcs	