

Heating & fillingmachine

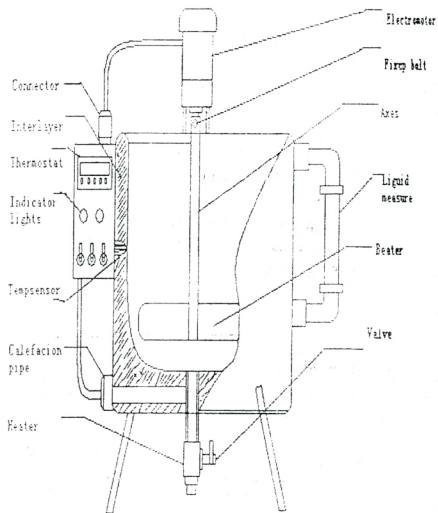


Introduction

The aircraft is suitable for the form of liquid solution, Gaoiti, lipstick, food substances such as wax. Melting mixed heating distribution equipment, especially in small batches lipstick application is - Room testing of cosmetics and food and pharmaceutical industries. The machine used throughout stainless steel. Frames pleasing to look at, easy to clean, easy to operate. Exchange using 220v voltage. Slowdown in the electrical distribution devices used, 35-minute, electric motors power to 35w. 1.4kw power for heating rods. Capacity of 15 litres.

Guidelines : for the processing of solid materials, heating needs to be constantly materials dissolved. Otherwise, it could burning electric motors. Use water for heating medium, the maximum heating to 100 Degrees Celsius below, such as the need to reach morethan 100 degrees Celsius, to be available Daoreyou Hot medium. The plane maximum heating temperature of 300 degrees Celsius.

Special attention : to ensure life safety case mu be grounded.



Certificate Of Conformity

Product name: heating & filling machine

Model: 15L

Serial Number:

CKD:

Date:

The product has passed test, and
qualifies to sell.